



Features

- 15A switching capability.
- SPST (Normally Open) contact.
- Open type.
- 2 and 3 yoke terminals available.

Contact Capacity

Model	CAR
Nominal switching capacity (res. load)	15A 24VDC
Max. switching current	25A
Max. switching voltage	30VDC
Max. switching power	360W

Charateristic Data

Contact material	Silver alloy	
Initial contact resistance (at 6VDC 1A)	50mΩ Max.	
Operate time (at nominal volt.)	10msec. Max.	
Release time (at nominal volt.)	5msec. Max.	
Initial insulation resistance	100MΩ Min.(DC500V)	
Initial dielectric strength	Between open contacts : AC500V , 50/60Hz 1Min.	
	Between coil and contact : AC500V , 50/60Hz 1Min.	
Vibration resistance	Functional	10 ~ 55Hz at double amplitude of 1.5 mm
	Destructive	10 ~ 55Hz at double amplitude of 1.5 mm
Shock resistance	Functional	10G Min.
	Destructive	100G Min.
Endurance (operations)	Mechanical (at 10,800 ops./h)	10,000,000
	Electrical (at 900 ops./h)	100,000
Ambient temperature	-40°C ~ +125°C (no condensation)	
Unit weight	Approx. 19.0 g	

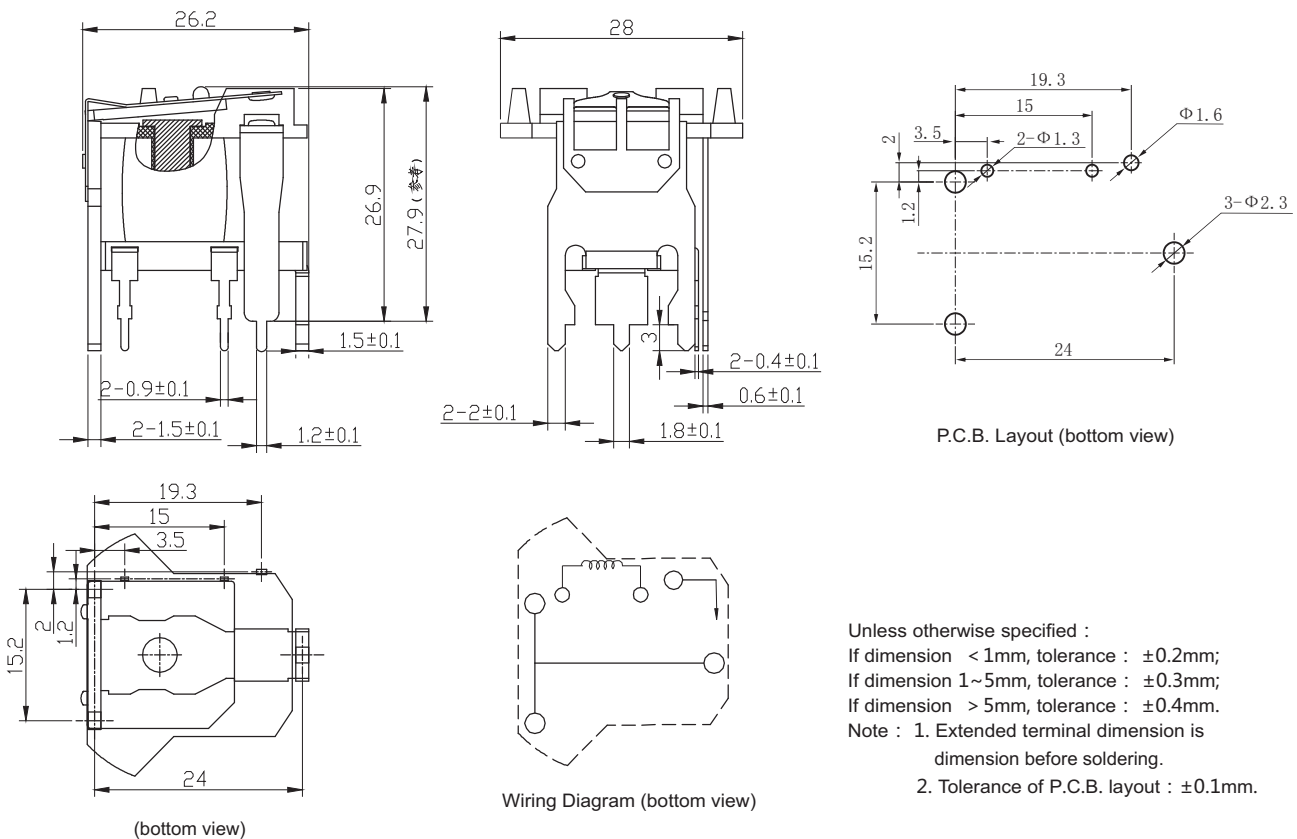
Coil Data (at 20°C)

Nominal voltage (VDC)	Nominal operating current ±10% (mA)	Coil resistance ±10% (Ω)	Max. allowable voltage	Pick-up voltage (Max.)	Drop-out voltage (Min.)	Nominal operating power
5	360.00	14	150 % of nominal voltage	70 % of nominal voltage	10% of nominal voltage	Approx. 1.80W
6	300.00	20				
9	200.00	45				
12	150.00	80				
15	120.00	125				
18	100.00	180				
24	75.00	320				

Ordering Information

Nomenclature				
CAR	- 1	12	D	M - XX
Special Parameter : Nil-Standard type, Letter or number-Special requirement				
Contact Form : M-Form A				
Coil Power : D-1.80W				
Coil Voltage (VDC) : 05, 06, 09, 12, 18, 24, 48				
Number of Poles : 1-1 Pole				
Type Designation : CAR				

Outline Dimensions, Wiring Diagram, P.C. Board Layout (unit : mm)



Unless otherwise specified :
 If dimension < 1mm, tolerance : ±0.2mm;
 If dimension 1~5mm, tolerance : ±0.3mm;
 If dimension > 5mm, tolerance : ±0.4mm.
 Note : 1. Extended terminal dimension is dimension before soldering.
 2. Tolerance of P.C.B. layout : ±0.1mm.

Typical Applications

- Motorcycle, engine scooter

Disclaimer:

This datasheet is the customers' reference. All the specification are subject to change without notice. We could not evaluate all the performance and all the parameters for every possible application. Thus the user should in a right position to choose the suitable product for their own application. If there is any query, please contact Sanyou for the technical service. However it is the user's responsibility to determine which product should be used only.