



产品特点 Features

- 70A触点切换能力。
70A Contact switching capability
- 工作温度高达125°C。
High working temperature 125°C
- 具有一组常开触点和U型结构形式。
1 Form A contact available
- 塑封和防尘罩型可供选择。
Fluxproof and sealed type available
- 可带瞬态抑制电阻或二极管。
Resistance or diode paralleled type available

触点参数 Contact Data

型号 Model	SARJ
额定负载 Nominal Switching capacity	70A 14VDC
最大切换电流 Max. switching current	On(NO): 200A (surge current in lamp load, 14VDC) Off(NO):70A (resistive load,14VDC)
最大连续电流 Max. persistent current	70A at23°C 50A at85°C

触点负载电压 Contact rating voltage	负载类型 Load type	触点负载电流(A) Contact rating current (A)	通断比 Break-Make Ratio	电寿命 Electrical life	触点材料 Contact Material	
14VDC	Resistive load	Making	70	2s : 2s	1x10 ⁵	AgSnO ₂
		Breaking	70			
	The motor load	Making	150 ^a	2s : 4s	1x10 ⁵	AgSnO ₂
		Breaking	50			
	Light load	Making	200 ^a	2s : 2s	1x10 ⁵	AgSnO ₂
		Breaking	40			
27VDC	Resistive load	Making	40	2s : 2s	1x10 ⁵	AgSnO ₂
		Breaking	40			

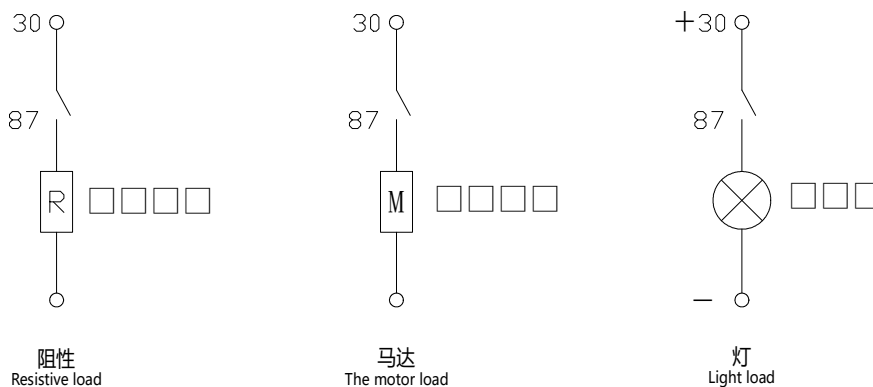
Note

a.峰值电流时间/稳态电流时间:1/10.

Time ratio of Peak current Stable current is 1:10.

负载接线图

Wiring Diagram for different Loads



性能参数 Parameters Date

触点材料 Contact Material	Silver alloy	
接触压降 Dropping Voltage of Contacts	200mv/at 10A (max)	
吸合时间(额定电压下) Operate Time (at rated coil voltage)	10msec. Max.	
释放时间(额定电压下) Release time (at rated coil voltage)	Ordinary type:10msec.Max.	Parallel resistor or diode type :15 msec. Max.
绝缘电阻 Initial Insulation Resistance	100MΩ Min.(DC500V)	
介质耐压 Initial Dielectric Strength	触点间 Between open contacts	AC500V, 50/60Hz for 1min.
	触点与线圈 Between contacts and coil	AC500V, 50/60Hz for 1min.
振动 Vibration Resistance	5~22.3Hz at double amplitude of 10 mm 22.3~500Hz 98m/s ²	
冲击 Shock Resistance	NO 30G	
寿命 Endurance (operate)	Mechanical (10,800 ops./h)	1x10 ⁷ cycles
	Electrical (900 ops./h)	详见触点参数表 See the contact parameters table
环境温度 Ambient Temperature	-40°C ~ +125°C(No condensation)	
重量 Unit Weight	Approx. 36.0g	

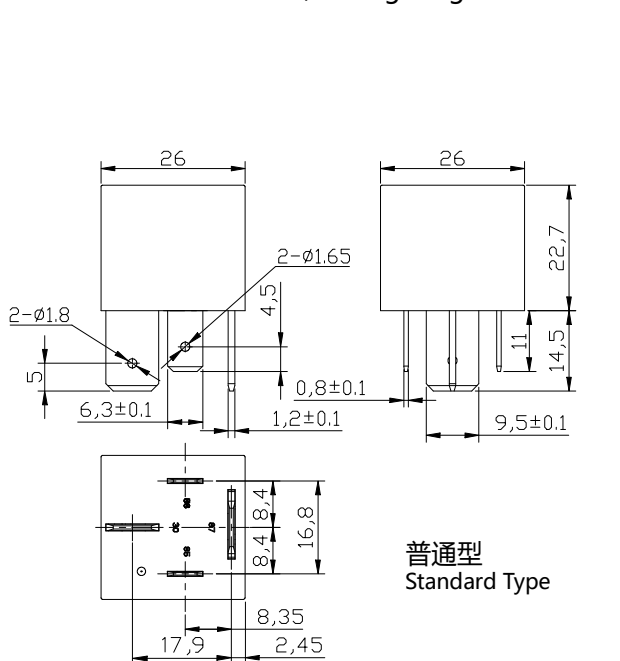
线圈参数 Coil Data (at 20°C)

额定电压 Rated Voltage (VDC)	工作电流 Operating Current ±10(mA)	线圈电阻 Coil Resistance ±10(Ω)	并联电阻 Parallel Resistance (Ω)	等效电阻 Equivalent (Ω)	最大允许电压 Max. Allowable Resistance Voltage (VDC)	吸合电压 Pick-up Voltage Max.(VDC)	释放电压 Drop-out Voltage Min.(VDC)	线圈功率 Coil Power (W)
12	133.33	90	---	---	150% of Rated Voltage	60% of Rated Voltage	10% of Rated Voltage	Approx. 1.6
12	133.33	90	680	80				Approx. 1.8
24	66.7	360	---	---				Approx. 1.6
24	66.7	360	2700	320				Approx. 1.8

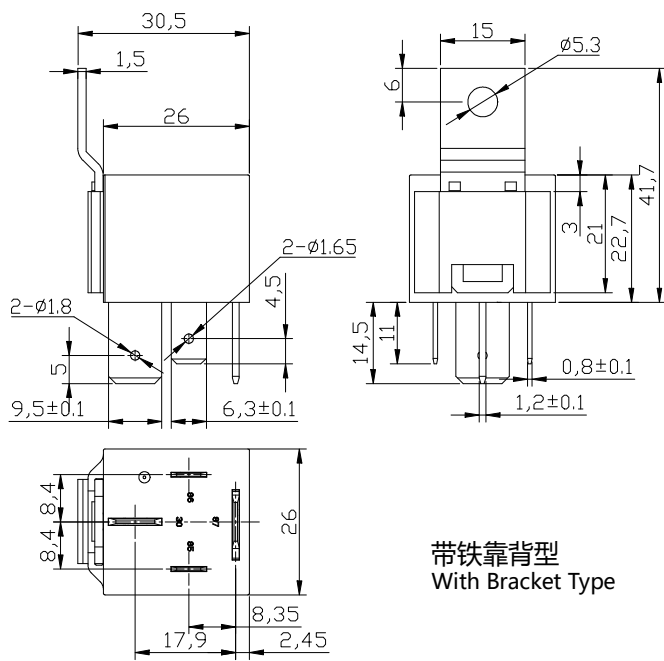
订货标记 Ordering Information

型号命名规则 Nomenclature								
SARJ	-S	-1	12	D	M	F	R	-XX
特殊参数: 无-标准型, 01-端子无孔 Special Parameter: Nil-Standard type, 01-terminal without hole								
配件形式: 无-普通型, R-并电阻, D-并二极管(见接线图), DC-并二极管(见接线图) Accessory Form: Nil-without accessory, R-Parallel resistor D-Parallel diode(see wiring diagram), DC-Parallel diode(see wiring diagram)								
安装形式: 无-普通型, F-铁靠背型, P-PCB型 Mounting type: Nil-without bracket, F-with iron bracket, P-PCB type								
触点形式: M-Form A Contact Form								
线圈功耗: D-1.6W/1.8W Coil Power								
线圈规格: 12, 24 Coil Voltage								
触点组数: 1-1组 Number of Poles: 1-1 Pole								
封装形式: 无-防尘式, S-塑封式 Protective Construction:Nil-Dustproof, S-Fluxproof								
基本型号: SARJ Type Designation								

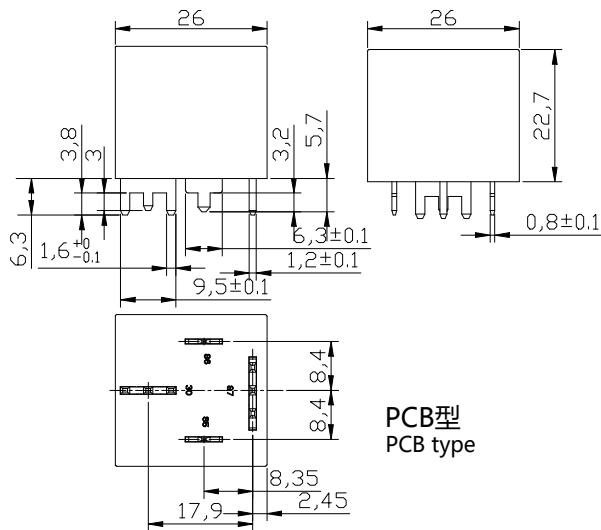
外形尺寸、接线图
Outline Dimensions, Wiring Diagram



普通型
Standard Type



带铁靠背型
With Bracket Type

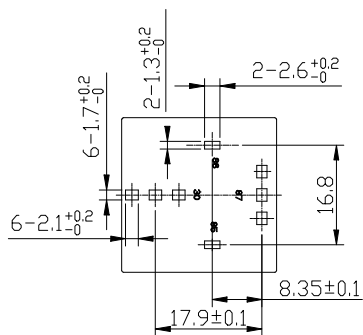


PCB型
PCB type

Size	tolerance
Less than 1mm:	$\pm 0.2\text{mm}$
1 to 5mm:	$\pm 0.3\text{mm}$
More than 5mm:	$\pm 0.4\text{mm}$

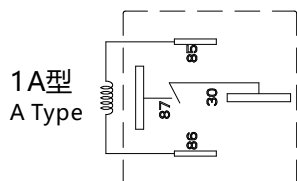
Note:

- 引出脚尺寸为预焊前尺寸
The size of lead pin is the size before pre-welding
- 安装孔尺寸公差: $\pm 0.1\text{mm}$
Mounting hole size tolerance: $\pm 0.1\text{mm}$

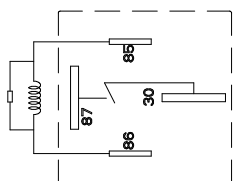


PCB孔位安装图
P.C.B. Layout

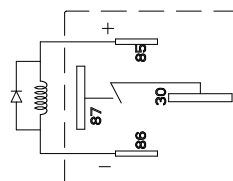
电气原理图
Electrical schematic diagram



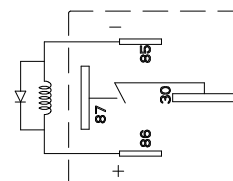
普通型
Standard type



并电阻
Parallel resistance



并二极管(D)
Parallel diode(D Type)



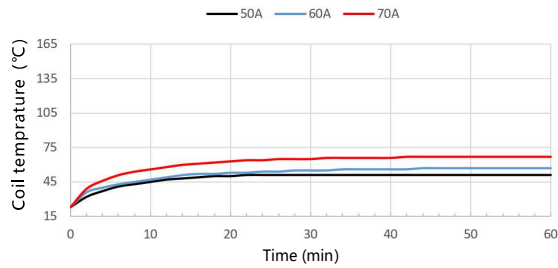
并二极管 (DC)
Parallel diode(DC Type)

典型用途 Typical Applications

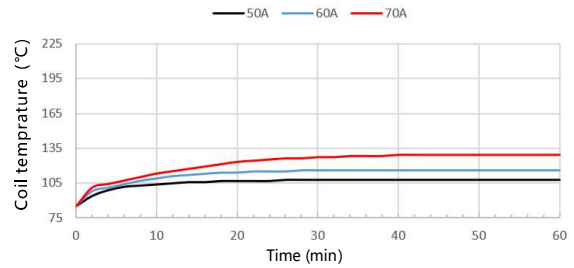
- 后窗除雾器、电池断路装置、汽车空调、灯雾、大灯装置
Rear window defogger , Battery breaking device , Automotive AC , Foglight control , Headlight control
- 电力分配、防抱死制动 (ABS) 、牵引控制系统
Electric power distributor , ABS , Traction control system.

性能曲线图 Characteristic Curves

Terminal temperature rise curve (23°C)
Test items: SARJ-S-112DM(1.6W)
Amount: 3PCS
Coil Voltage: 12VDC
Load current: 50A,60A,70A
Environment temperature: 23°C



Terminal temperature rise curve (85°C)
Test items: SARJ-S-112DM(1.6W)
Amount: 3PCS
Coil Voltage: 12VDC
Load current: 50A,60A,70A
Environment temperature: 85°C



声明:

本产品规格书仅供客户使用时参考，若有更改，恕不另行通知。
对三友而言，不可能评定继电器在每个具体应用领域的所有性能参数要求，因而客户应该根据具体的使用条件选择与之相匹配的产品，若有疑问，请与三友联系获取更多的技术支持。但产品选型责任仅由客户负责。
© 三友联众集团股份有限公司版权所有，本公司保留所有权利。

Disclaimer:

This datasheet is the customers' reference. All the specification are subject to change without notice.
We could not evaluate all the performance and parameters for every possible application. Thus the users should be in a right position to choose the suitable product for their own application. If there is any query, please contact Sanyou for technical service. However it is the users' responsibility to determine which product should be used only.
SANYOU CORPORATION LIMITED. All rights reserved by Sanyou.