



Feature

- 40 amps continuous carry,400 amps interrupte under extreme condition.
- Hermetically sealed with hydrogen gas,the arc is not exposed. Be able to use in explosive & harsh environments without oxidation or contamination of contacts.The product meet IP42 protection degree.
- Not position sensitive- can be mounted in any position for ease of installation.
- RoHS compliant.

Contact Data

Item		Information	
Contact arrangement		1 Form A contact	
Current rating		40A	
Contact resistance		≤10mΩ (@6V 20A)	
Min.Switching load		12VDC 1A	
Max. Switching voltage		750VDC	
Max. Breaking current		400A , 750VDC , 1cycle	
Max. Switching power		30KW	
Electrical life ⁽¹⁾	Resistive load	450V type	750V type
		2×10 ⁴ cycles (40A,450VDC)	1×10 ³ cycles (40A,750VDC)
		1×10 ⁴ cycles (-40A,450VDC)	1×10 ³ cycles (-40A,750VDC)
Load current capacity ⁽²⁾		40A : continuity	
		60A : 1h	
		80A : 20min	
		160A : 30s	
		320A : 2s	
		400A : 0.6s	

NOTES :

- (1) Ambient temperature:23°C , L/R≤1ms.
 (2) Ambient temperature:23°C , 10mm² conductor.
 (3) Other types of rated voltage,please contact us.

Parameters Table

Item		Information
Mechanical life		5×10 ⁵ cycles
Insulation resistance		1000MΩ(500VDC)
Dielectric strength	Between open contacts	3000VAC 1min 10mA
	Between contact and coil	4000VAC 1min 10mA
Operate time (at rated coil voltage)		≤30ms
Release time (at rated coil voltage)		≤10ms
Shock resistance	Functional	196m/s ² (20G)
	Destructive	490m/s ² (50G)
Vibration resistance		10Hz~500Hz 49m/s ² (5G)
Ambient temperature		-40°C~85°C
Ambient humidity		5%~95% RH
Weight		Approx.155g
External dimension		67×32.6×50.5

Coil Data ⁽³⁾

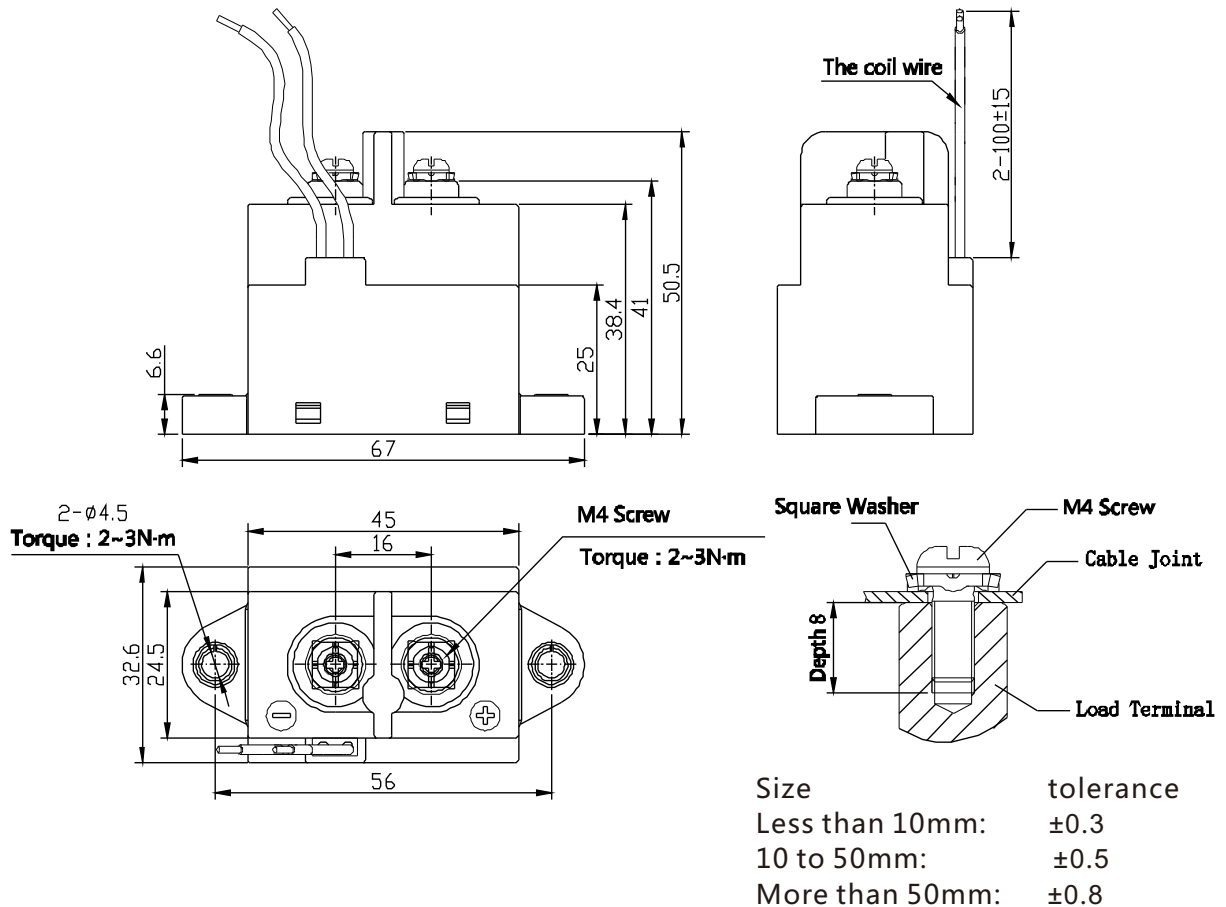
Rated voltage (VDC)	12	24	48
Operation voltage (VDC)	12	24	48
Max. voltage (VDC)	16	32	64
Pick-up voltage (VDC)	≤9	≤18	≤36
Drop-out voltage (VDC)	≥1.0	≥2.0	≥4.0
Coil resistance(±10%)(Ω)	48	192	768
Operating power (inrush , W)	3	3	3
Operating power (stable , W)	3	3	3

Ordering Information

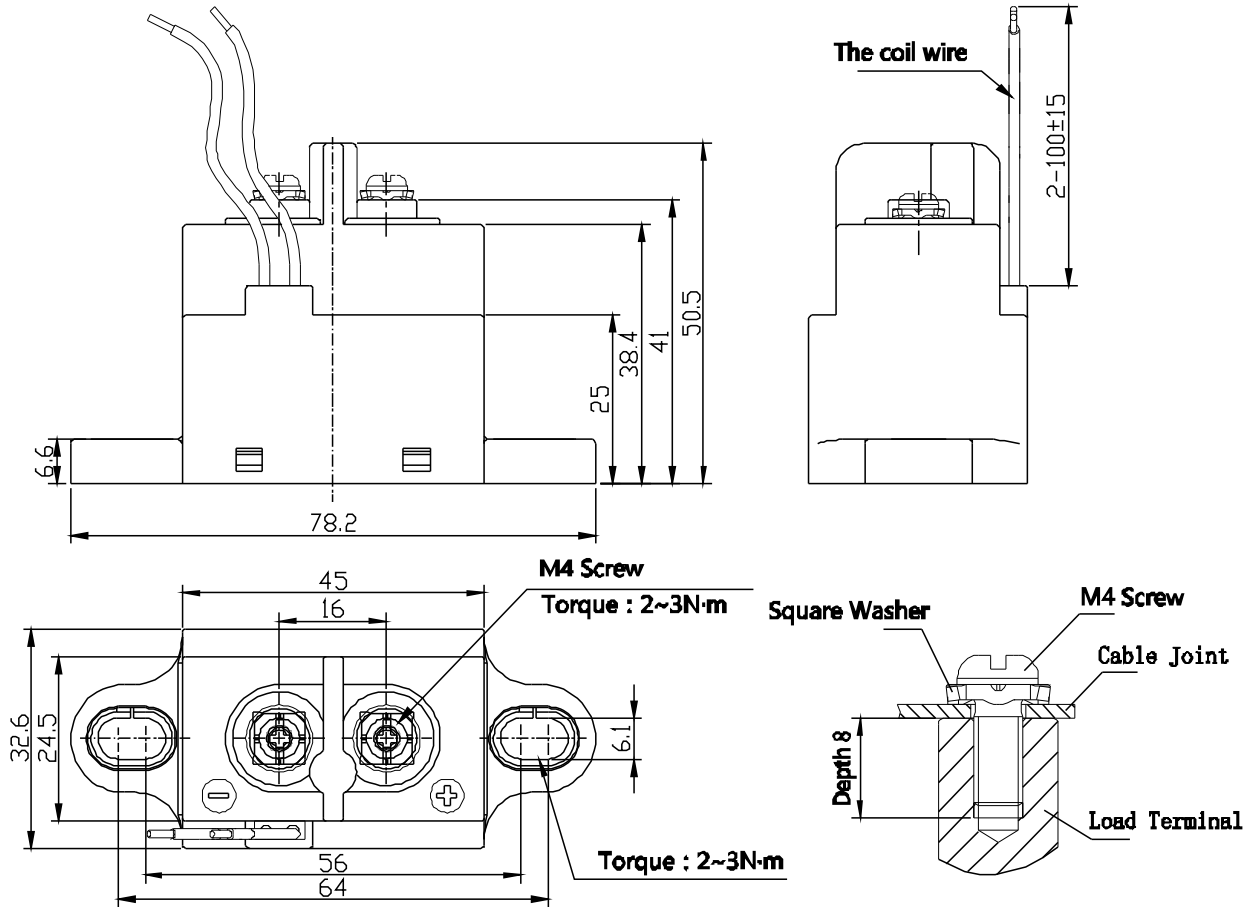
Nomenclature	
SEV 40 -	<input type="checkbox"/> M <input type="checkbox"/> <input type="checkbox"/> <input type="checkbox"/> <input type="checkbox"/>
<p>Customer special code Nil : No customer special requirement Numbers or Letters : Customer special requirement</p>	
<p>Load connection type 2 : internal thread</p>	
<p>Coil connection type Nil : outgoing line C : outgoing line+connector</p>	
<p>Coil voltage 12 : 12VDC 24 : 24VDC 48 : 48VDC</p>	
<p>Contact arrangement M : 1 Form A</p>	
<p>Voltage rating 750 : 12~750VDC 450 : 12~450VDC</p>	
<p>Load current 100 : 100A</p>	
<p>Type designation SEV</p>	

Packing quantity:
 Type "outgoing line": 1pcs inner carton, 30pcs outer carton
 Type "outgoing line+connector": 1pcs inner carton, 24pcs outer carton

Outline Dimensions(Standard Type)

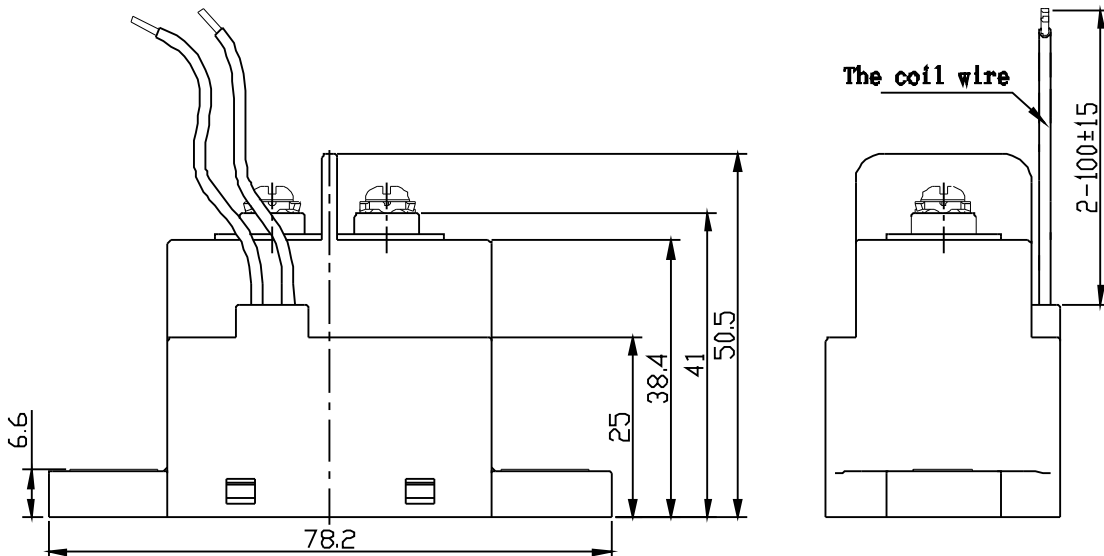


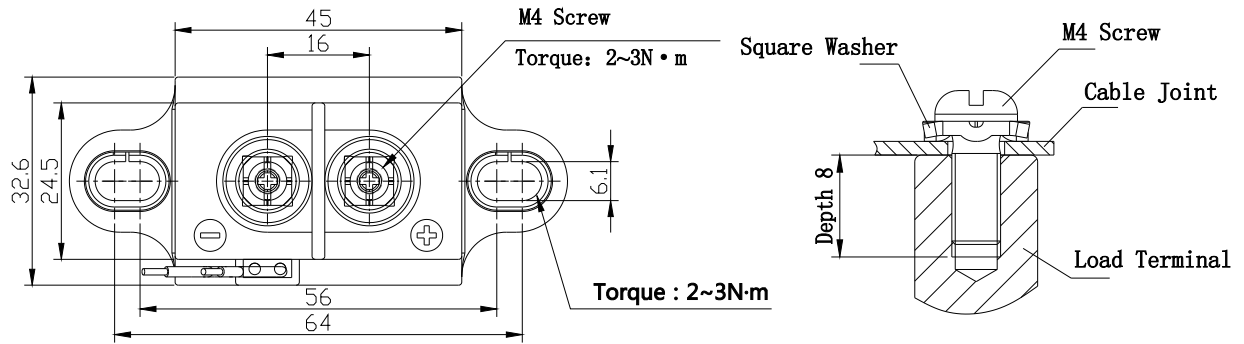
Customer Features Label-2(Oval Mounting Hole)



Size	tolerance
Less than 10mm:	±0.3
10 to 50mm:	±0.5
More than 50mm:	±0.8

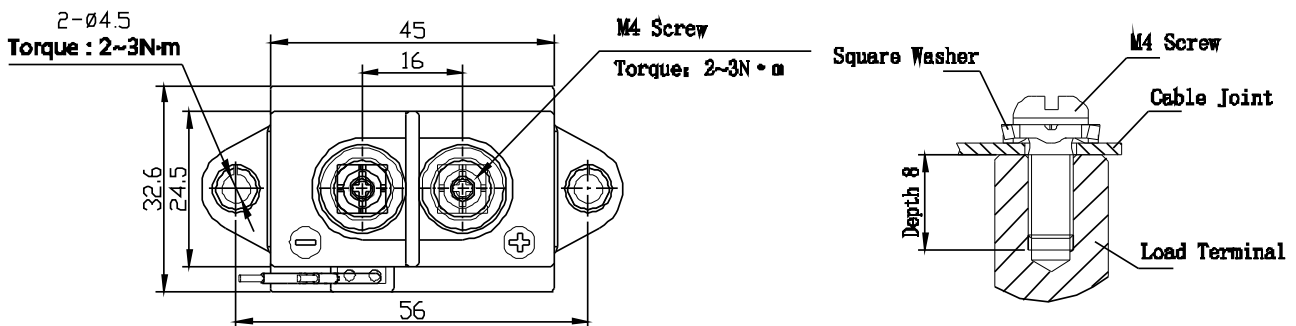
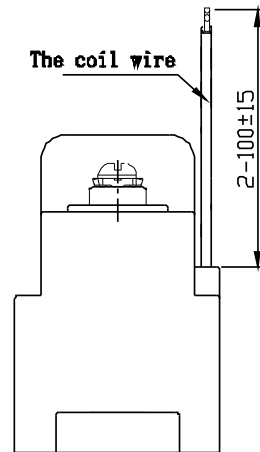
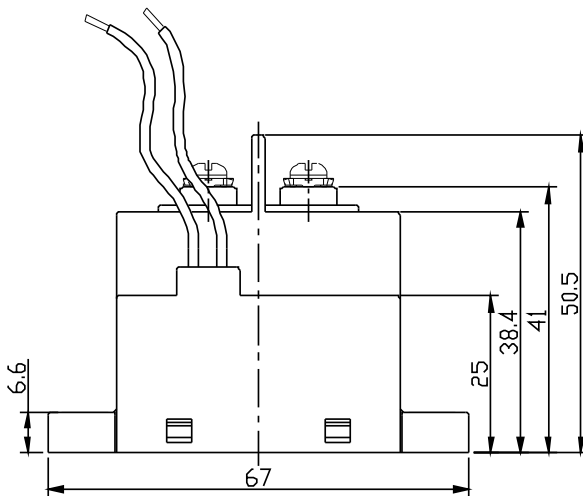
Customer Features Label-3(Oval Mounting Hole)





Size	tolerance
Less than 10mm:	± 0.3
10 to 50mm:	± 0.5
More than 50mm:	± 0.8

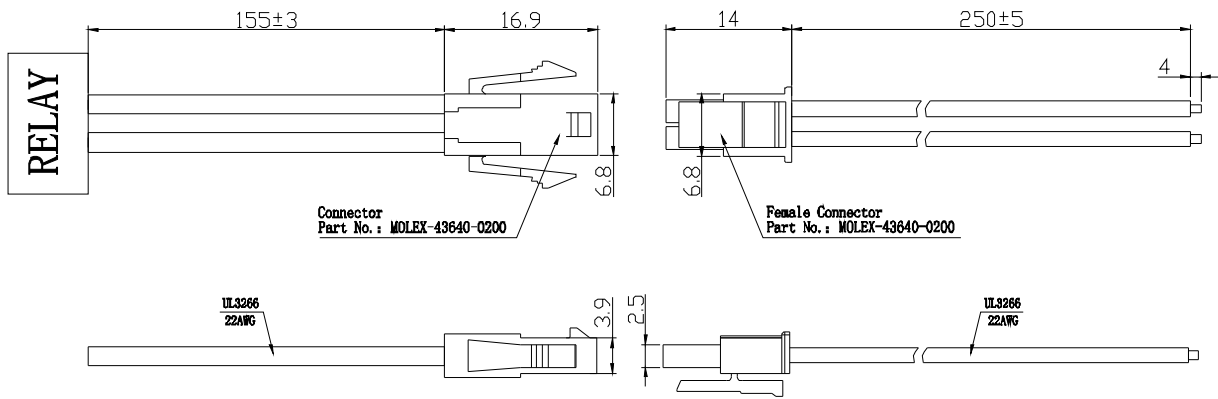
Customer Features Label-4



Size	tolerance
Less than 10mm:	± 0.3
10 to 50mm:	± 0.5
More than 50mm:	± 0.8

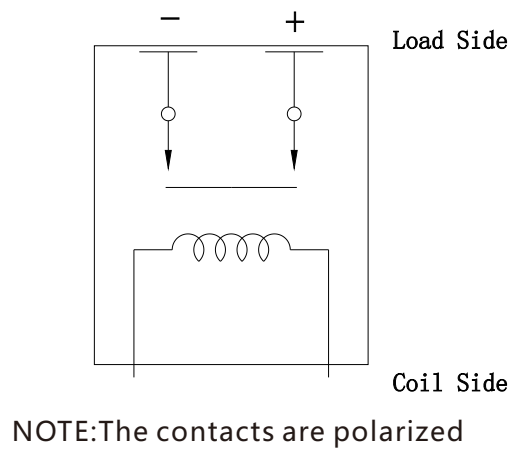
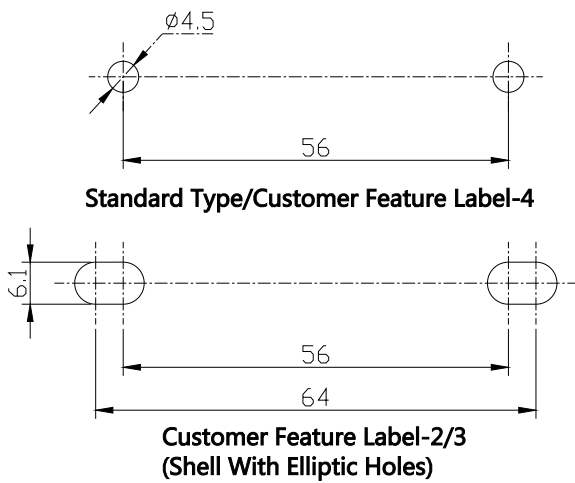
Coil Connection Type

C : Outgoing Line+Connector (Accessories)



Installation Size Chart

Schematic Diagram



NOTES**●Mounting Attention**

1. When installing the relay, always use washers to prevent the screws from loosening.
2. Tighten each screw within the rated range given in the outline dimensions. Exceeding the maximum torque may result in breakage.
3. Avoid mounting the relay in strong magnetic fields (near a transformer or magnet) or close to an object that radiates heat.

●Electrical Life Attention

1. This relay is a DC high-voltage switch. In its final breakdown mode, it may lose the ability to provide the proper cut-off. Therefore, do not exceed the indicated switching capacity and life.
2. Please treat the relay as a product with limited life and replace it when necessary.
3. The contacts of the relay are polarized. Please follow instructions in the connection schematic when connecting the contacts.
4. Be careful that foreign matter and oils and fats kind, don't stick to the main terminal parts because it is likely to cause terminal parts to give off unusual heat. Also, please use the following specifications of conductor.

10A	Min. 2mm ² nominal cross-sectional area
20A	Min. 3mm ² nominal cross-sectional area
40A	Min. 10mm ² nominal cross-sectional area
60A	Min. 15mm ² nominal cross-sectional area
100A	Min. 35mm ² nominal cross-sectional area
150A	Min. 45mm ² nominal cross-sectional area
200A	Min. 60mm ² nominal cross-sectional area
250A	Min. 80mm ² nominal cross-sectional area
300A	Min. 100mm ² nominal cross-sectional area

●Coil Attention

1. Please note that when using a diode, the switching speed may decrease and cause a reduction in cut-off performance, we recommend installing a surge protector varistor.
2. The pick-up voltage and drop-out voltage will change with ambient temperature, please use rated voltage to make sure the relay operate reliable. Don't exceed maximum coil voltage.
3. The 250A and 300A types have built-in dedicated drive circuit, please drive the coil with a quick startup (Built-in one-shot pulse generator circuit).
4. After the ON signal enters the 250A and 300A types, automatic coil current switching occurs after approximately 0.1 seconds. Do not repeatedly turn it OFF within that 0.1 seconds interval, as doing so may damage the relay.

Disclaimer :

This datasheet is the customers' reference. All the specification are subject to change without notice.

We could not evaluate all the performance and parameters for every possible application. Thus the users should be in a right position to choose the suitable product for their own application. If there is any query, please contact Sanyou for technical service. However it is the users' responsibility to determine which product should be used only.