

◆ Feature

- ◇ 16A switching capability
- ◇ Low power consumption, high load capacity.
- ◇ Small size, PCB mounting
- ◇ Excellent electric life and reliability
- ◇ Long service life
- ◇ RoHS compliant
- ◇ Dimensions: 29.1mm×25.45mm×12.8mm

◆ Contact Capacity

Type	WJ32M-1P	WJ32M-2P
Rated load	16A 250VAC	5A 250VAC
Max.switching current	16A	5A
Max.switching voltage	250VAC	250VAC
Max.switching power	4000VA	1250VA

◆ General Specification

Contact material	Silver alloy	
Contact resistance	50mΩ Max.	
Operate time	15ms. Max.	
Release time	15ms. Max.	
Insulation resistance(initial)	1,000mΩ Min. (DC500V)	
Dielectric strength	Contact-contact : AC750V ; 50/60Hz 1min	
	Contact-coil: AC2, 000; 50/60Hz 1min	
Creepage and dearrance distance (coil contact)	1P:500A/10ms; 2P: 200A/10ms	
Vibration resistance	10~55Hz, 1.5mm DA	
Shock resistance	Durability	100G min
	Malfunction	10G min
Expected life	Mechanical life(3600 cycles/Hour)	1,000,000 cycles
	Electrical life(360 cycles/Hour)	100,000 cycles
Ambient temperature	-40°C~+85°C	
Humidity	5°C~+85%RH	
Weight	16g	

◆ Coil Data(at 20°C)

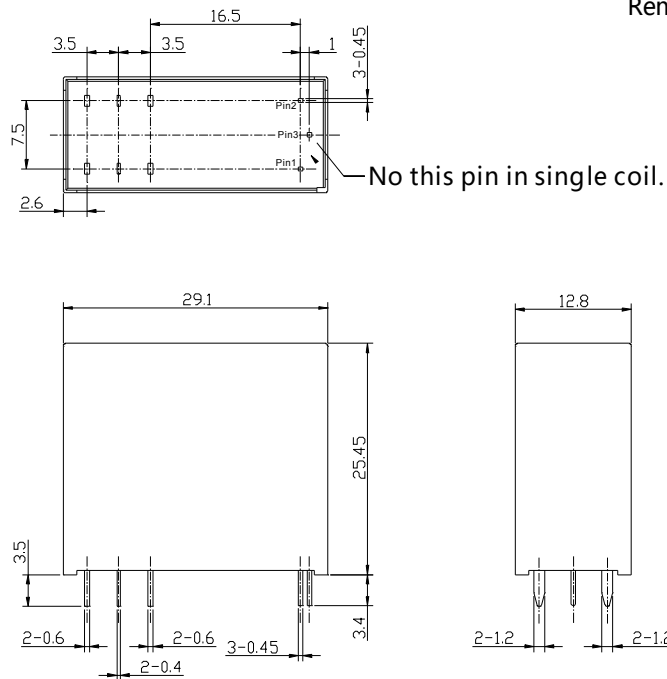
standard type

Nominal Voltage (VDC)	Coil Resistance ± 10% (Ω)			Min.Set/Reset Voltage(Max) (VDC)	Pulse Duration (ms)	Coil Power
	Single coil	Dual coil				
5	25	12.5	12.5	70% nominal voltage	100min	Single/Dual 1.0W/2.0W
6	36	18	18			
9	81	40.5	40.5			
12	144	72	72			
24	576	288	288			
48	2304	1152	1152			

◆ Ordering Information

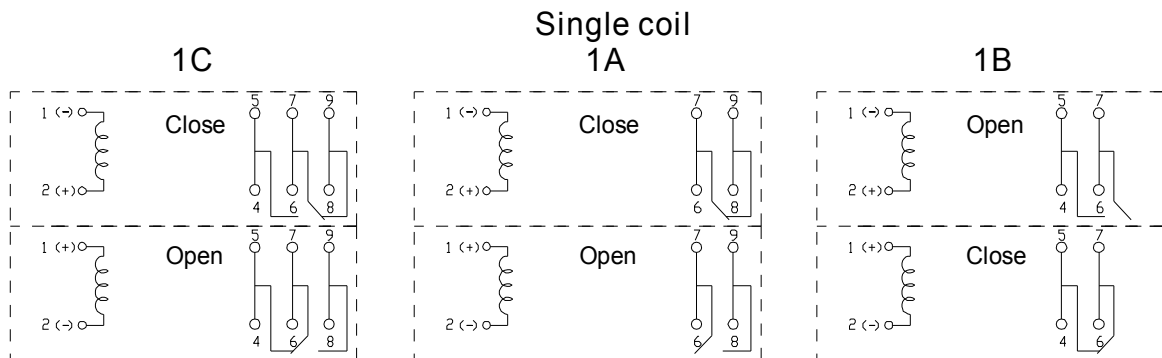
WJ32M	-S	-1	12	L	M	1	Coil sort: 1-Single coil, 2-Dual coil.
							Contact arrangement : No-Form C (switching) M-Form A (normal open) B-Form B (normal close)
							Coil type: D-standard type
							Rated coil voltage(VDC): 05, 06, 09, 12, 24, 48
							Number of contact:1-1set ; 2-2set
							Seal type:S-plastic
							Type: WJ32M

◆ Outline Dimension (Unit: mm)



Remark: Unless otherwise specified,
 < 1mm: ±0.2mm;
 1-5mm: ±0.3mm;
 > 5mm: ±0.4mm.

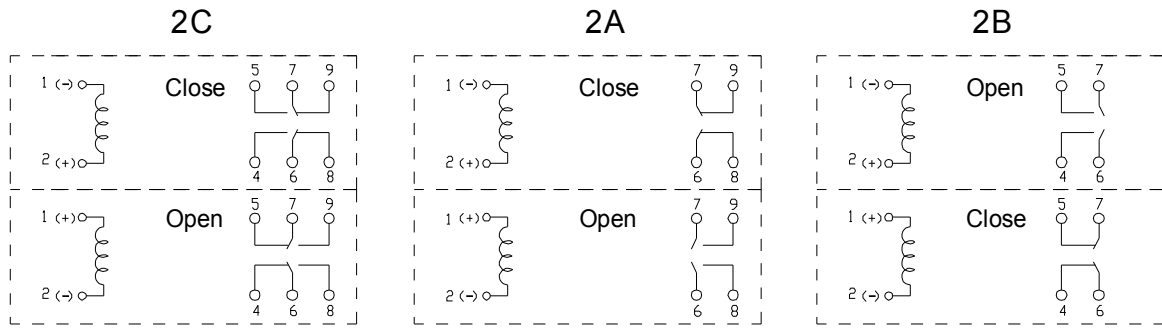
◆ Wiring Diagram



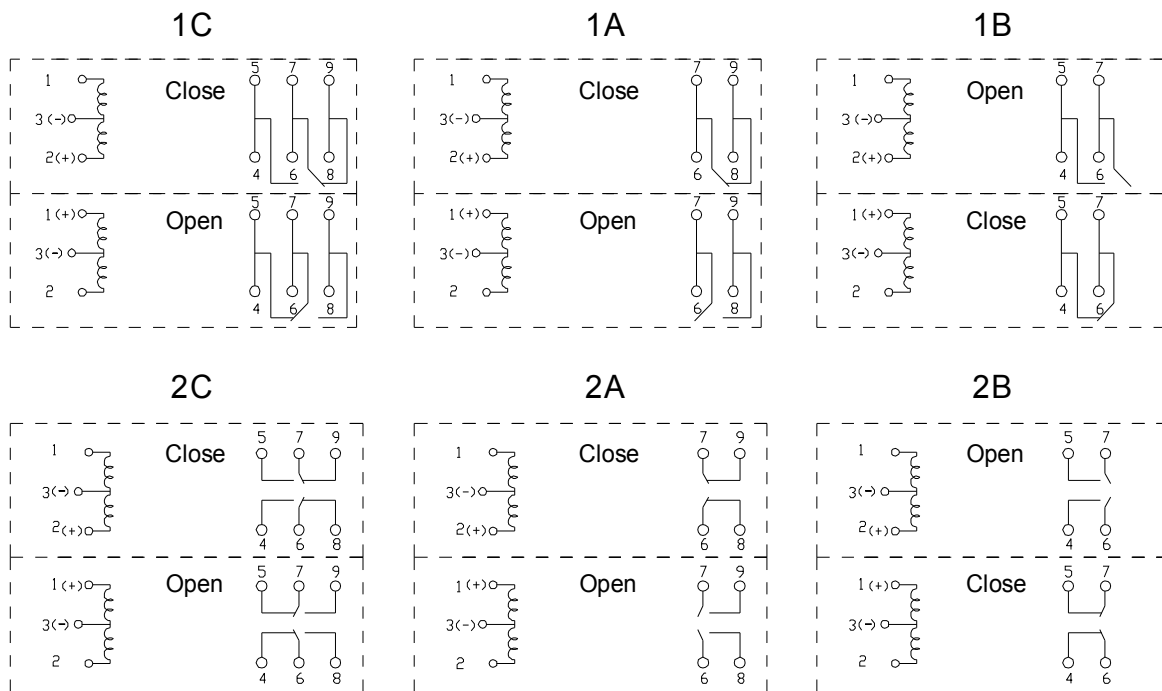
◆ Typical Application

- ◇ Remote control
- ◇ Electrical power

Single coil



Dual coil



Precautions :

1. The original position of latching relay is "closed" when shipping. It is possible that during transit or installation, the relay may change its state to be "open" position, it is recommended to set the relay in to state needed via apply voltage to the coil.
2. In order to let relay operate normally, the voltage which apply to the coil should reach to the rated voltage, the pulse width should be 50ms to 100ms; Do not energize both coil at the same time on Dual coil or energize the coil for longer than 1 minute.
3. Relay without copper wire, the terminal can not be soldered, bend, and rigid fasten both two terminals;
4. Keep away from corrosive gas and other condition which may damage the relay.