



Feature

- 200 amps continuous carry,2000 amps interrupte under extreme condition.
- Hermetically sealed with hydrogen gas,the arc is not exposed. Be able to use in explosive & harsh environments without oxidation or contamination of contacts.Contacts' part meet IP42 protection degree.
- Not position sensitive- can be mounted in any position for ease of installation.
- RoHS compliant.

Contact Data

Item	Information		
Contact arrangement	1 Form A contact		
Current rating	200A		
Contact resistance	≤0.5mΩ (@6V 20A)		
Min.Switching load	12VDC 1A		
Max. Switching voltage	750VDC		
Max. Breaking current	2000A (500VDC, 1 cycle)		
Max. Switching power	187.5KW		
Electrical life ⁽¹⁾		500V type	750V type
	Resistive load	500VDC,200A 1×10 ³ cycles	750VDC,200A 500 cycles
		500VDC,-200A 100 cycles	750VDC,200A 10 cycles
	Capacitive load	2.5×10 ⁴ cycles 22.5VDC,τ=1ms inrush 400A steady 200A	2.5×10 ⁴ cycles 37.5VDC,τ=1ms inrush 400A steady 200A
Load current capacity ⁽²⁾	200A: continuity		
	300A: 10min		
	400A: 2min		
	800A: 30s		
	2000A: 0.6s		

Parameters Table

Item	Information	
Mechanical life	5×10 ⁵ cycles	
Insulation resistance	1000MΩ(500VDC)	
Dielectric strength	Between open contacts	3000VAC 1min 10mA
	Between contact and coil	4000VAC 1min 10mA
Operate time (at rated coil voltage)	≤50ms	
Release time (at rated coil voltage)	≤30ms	
Shock resistance	Functional	98m/s ² (10G)
	Destructive	490m/s ² (50G)
Vibration resistance	10Hz~500Hz 49m/s ² (5G)	
Ambient temperature	-40°C~85°C	
Ambient humidity	5%~85% RH	
Weight	Approx.570g	
External dimension	95mm×45mm×85mm	

Coil Data ⁽³⁾

Rated voltage (VDC)	12	24	48
Operation voltage (VDC)	12	24	48
Max. voltage (VDC)	16	32	64
Pick-up voltage (VDC)	≤9	≤18	≤36
Drop-out voltage (VDC)	≥1.0	≥2.0	≥4.0
Coil vesistance(±10%)(Ω)	24	96	384
Operating power (inrush, W)	6	6	6
Operating power (stable, W)	6	6	6

NOTES:

- (1) Ambient temperature:23°C, L/R≤1ms.
- (2) Ambient temperature:23°C, 100mm² conductor.
- (3) Other types of rated voltage,please contact us.

Ordering Information
Nomenclature

SES 200- □ □ **M** □ □ □ □

Customer special code
Nil: No customer special requirement
Numbers or Letters: Customer special requirement

Load connection type
2: internal thread

Coil connection type **Nil:** outgoing line
C: outgoing line+connector

Coil voltage **12:** 12VDC
24: 24VDC
48: 48VDC

Contact arrangement **M:** 1 Form A

Voltage rating **750:** 12~750VDC
500: 12~500VDC

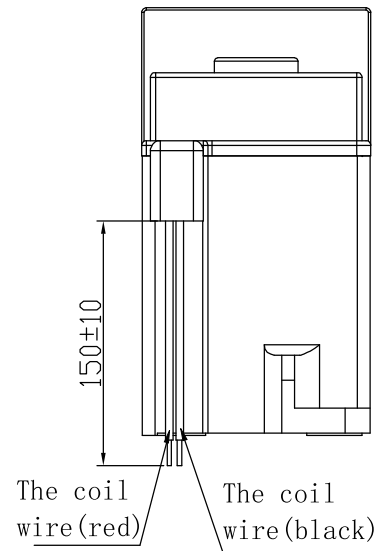
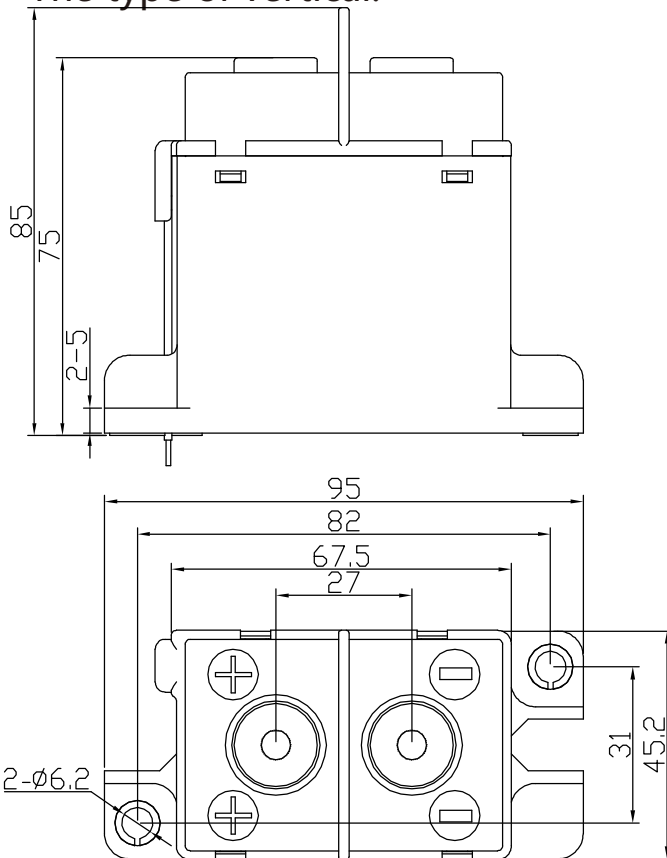
The type of install **H:**horizontally
V:vertical

Load current **200:** 200A

Type designation **SES**

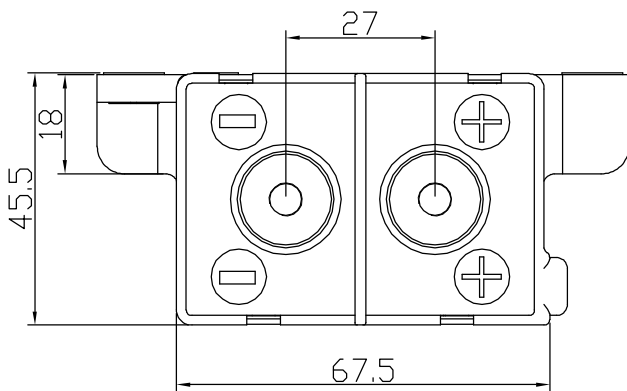
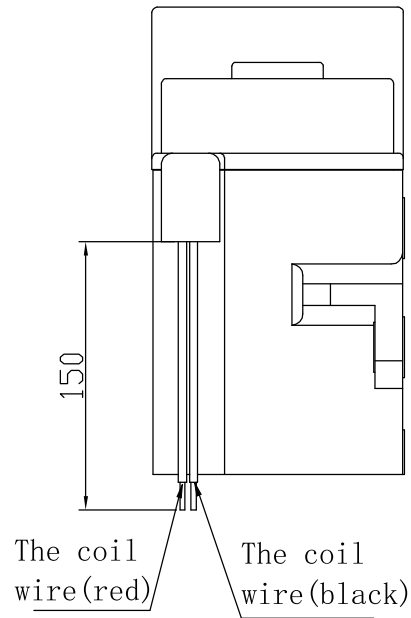
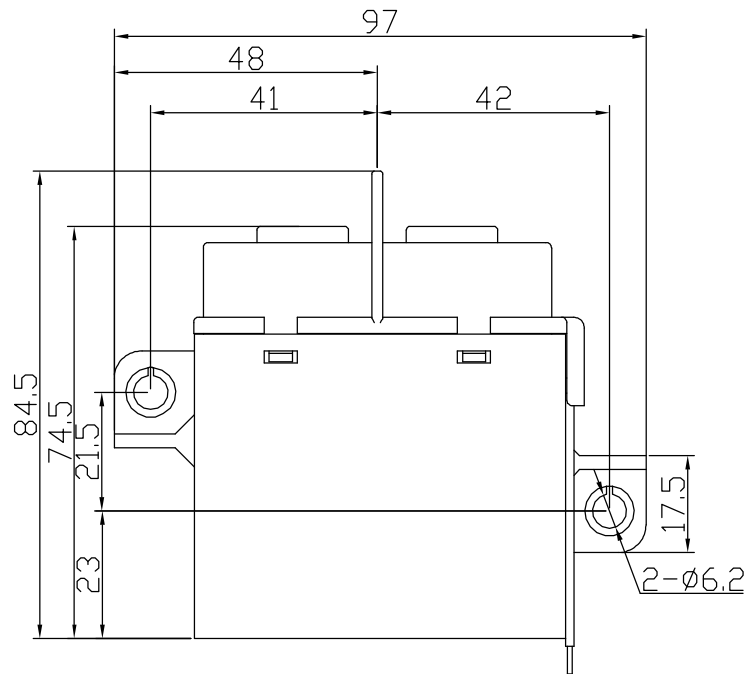
Packing quantity:1 pcs inner carton, 12pcs outer carton

The type of vertical:



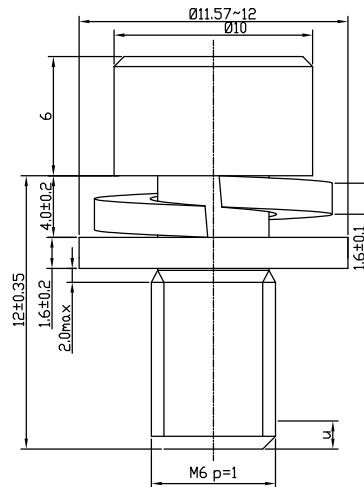
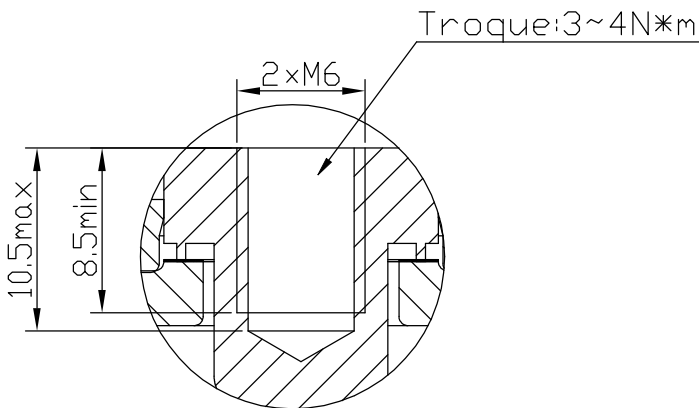
Size	tolerance
Less than 10mm:	±0.3
10 to 50mm:	±0.5
More than 50mm:	±0.8

The type of horizontally:



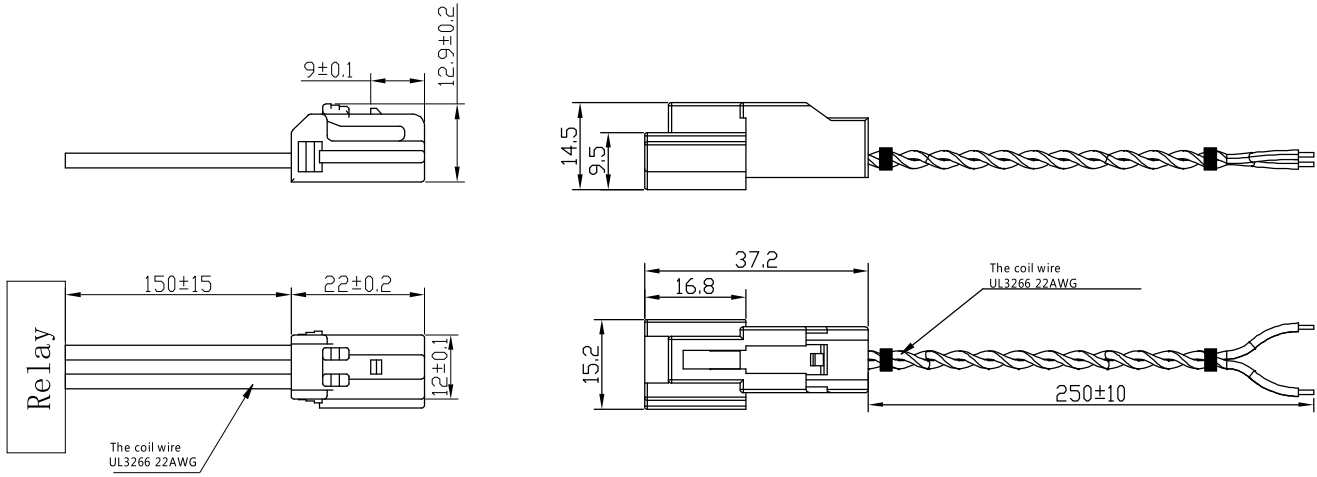
Size	tolerance
Less than 10mm:	±0.3
10 to 50mm:	±0.5
More than 50mm:	±0.8

Bolt:



Coil Connection Type

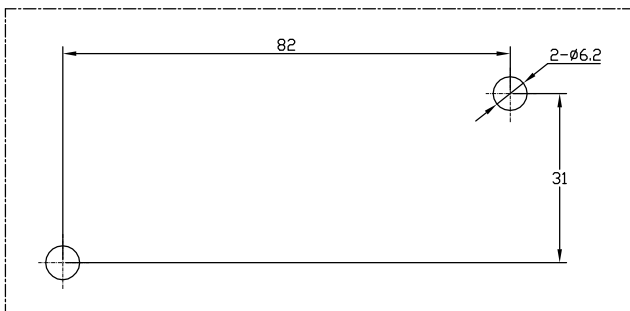
C: Outgoing Line+Connector (Accessories)



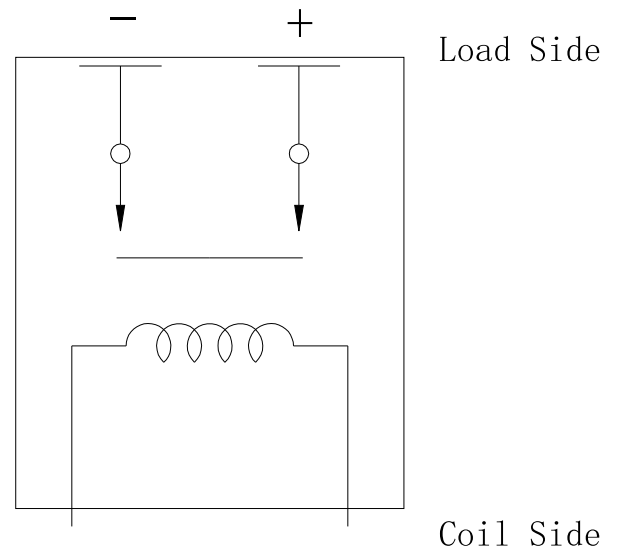
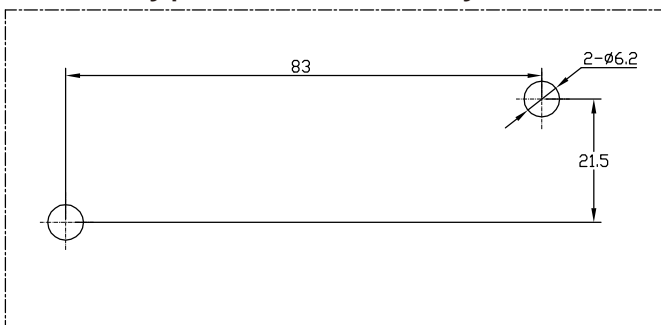
Installation Size Chart

Schematic Diagram

The type of vertical:



The type of horizontally:



NOTE: The contacts are polarized

NOTES**●Mounting Attention**

1. When installing the relay, always use washers to prevent the screws from loosening.
2. Tighten each screw within the rated range given in the outline dimensions. Exceeding the maximum torque may result in breakage.
3. Avoid mounting the relay in strong magnetic fields (near a transformer or magnet) or close to an object that radiates heat.

●Electrical Life Attention

1. This relay is a DC high-voltage switch. In its final breakdown mode, it may lose the ability to provide the proper cut-off. Therefore, do not exceed the indicated switching capacity and life.
2. Please treat the relay as a product with limited life and replace it when necessary.
3. The contacts of the relay are polarized. Please follow instructions in the connection schematic when connecting the contacts.
4. Be careful that foreign matter and oils and fats kind, don't stick to the main terminal parts because it is likely to cause terminal parts to give off unusual heat. Also, please use the following specifications of conductor.

10A	Min. 2mm ² nominal cross-sectional area
20A	Min. 3mm ² nominal cross-sectional area
40A	Min. 10mm ² nominal cross-sectional area
60A	Min. 15mm ² nominal cross-sectional area
100A	Min. 35mm ² nominal cross-sectional area
150A	Min. 45mm ² nominal cross-sectional area
200A	Min. 60mm ² nominal cross-sectional area
250A	Min. 80mm ² nominal cross-sectional area
300A	Min. 100mm ² nominal cross-sectional area

●Coil Attention

1. Please note that when using a diode, the switching speed may decrease and cause a reduction in cut-off performance, we recommend installing a surge protector varistor.
2. The pick-up voltage and drop-out voltage will change with ambient temperature, please use rated voltage to make sure the relay operate reliable. Don't exceed maximum coil voltage.
3. The 250A and 300A types have built-in dedicated drive circuit, please drive the coil with a quick startup (Built-in one-shot pulse generator circuit).
4. After the ON signal enters the 250A and 300A types, automatic coil current switching occurs after approximately 0.1 seconds. Do not repeatedly turn it OFF within that 0.1 seconds interval, as doing so may damage the relay.

Disclaimer:

This datasheet is the customers' reference. All the specification are subject to change without notice.

We could not evaluate all the performance and parameters for every possible application. Thus the users should be in a right position to choose the suitable product for their own application. If there is any query, please contact Sanyou for technical service. However it is the users' responsibility to determine which product should be used only.