



Feature:

- 40A Switching Capability
- 125°C High Operating Temperature
- 1 Form A and 1 Form C contact available
- Dustproof and Fluxproof type available
- Resistor or diode paralleled type available

Contact Load

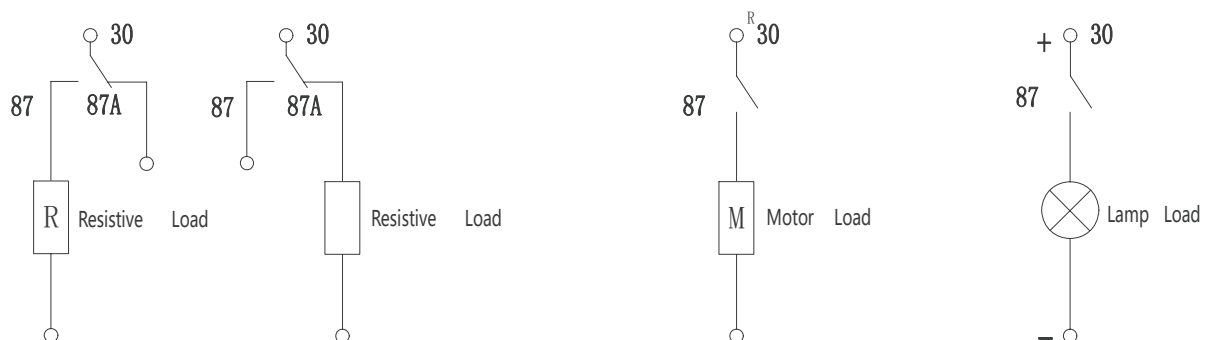
Model	SARQ
Nominal Load(Res.Load)	Normal:NO:40A 14VDC /NC: 30A 14VDC 2A: NO:30A 14VDC
Max.Switching Current(normal)	On(NO):150A (Surge Current of Lamp Load, 14VDC) Off(NO):40A (Resistive Load, 14VDC)
Max.Continuous Current	40A at 23°C

Contact Data

Contact Voltage	Load Type		Contact Current		Duty Factor		Endurance (Cycles)	Contact Material	
			Form C	Form A	On	Off			
14VDC	Res.	on	40	30	40	2S	2S	1x10 ⁵	AgSnO ₂
		off	40	30	40	2S	2S		
	Motor	on	80 ^a	--	80 ^a	2S	2S	1x10 ⁵	
		off	30	--	30	2S	2S		
	Lamp	on	150 ^a	--	150 ^a	2S	2S	1x10 ⁵	
		off	30	--	30	2S	2S		
27VDC	Res.	on	30	10	20	2S	2S	1x10 ⁵	
		off	30	10	20	2S	2S		

a. Time ratio of peak current: Stable current is: 1:10

Load Wiring Diagram



Characteristic Data

Contact Material	SilverAlloy
Dropping Voltage of Contacts	200mv/at 10A (max)
Operate Time	10msec.Max.
Release Time	ordinary type:10msec.Max. with resistor or diode type :15 msec. Max.
Initial Insulation Resistance	100MΩ Min.(DC500V)
Initial Dielectric Strength	OP/OP: AC500V, 50/60Hzfor 1min.
	IP/OP: AC500V, 50/60Hzfor 1min.
Vibration Resistance	5 ~ 22.3Hz at double amplitude of 10 mm 22.3~500Hz 98m/s ²
Shock Resistance	NO 30G/NC 5G
Collision Response acceleration(T/TC Type)	The relay will respond when acceleration is > 30g 11msec. The relay will not respond when acceleration is < 10g 11msec.
Endurance (operations)	Mechanical (10,800ops./h) 1x10 ⁷ cycles
	Electrical (900ops./h) See the contact parameters table
Ambient Temperature	-40°C ~ +125°C(no condensation)
Unit Weight	Approx. 32.0g

Coil Data(at 20°C)

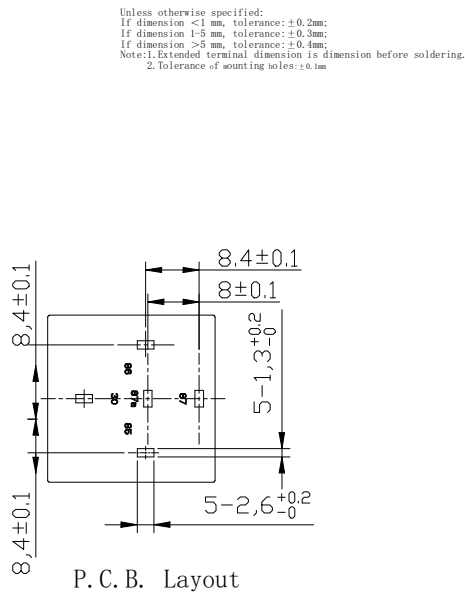
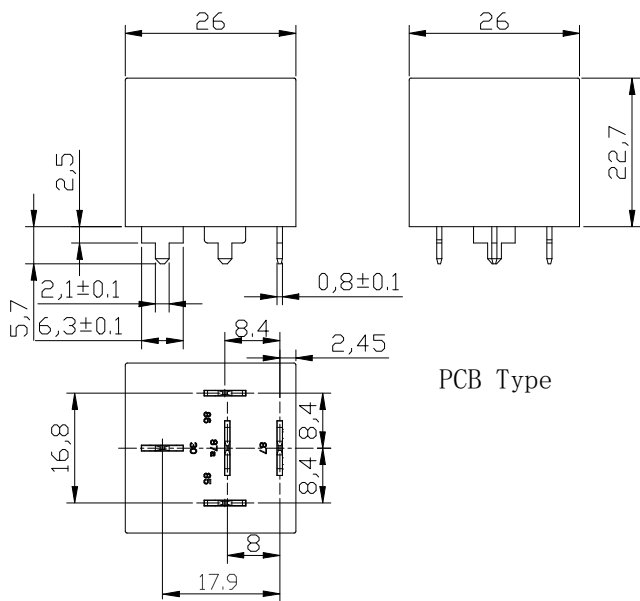
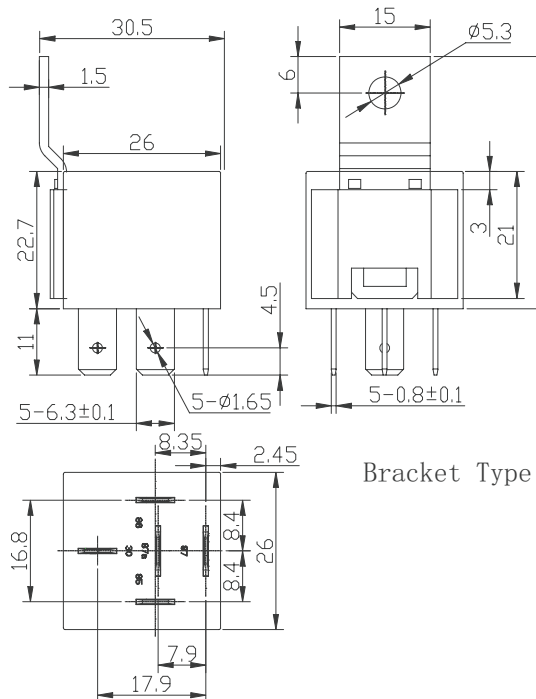
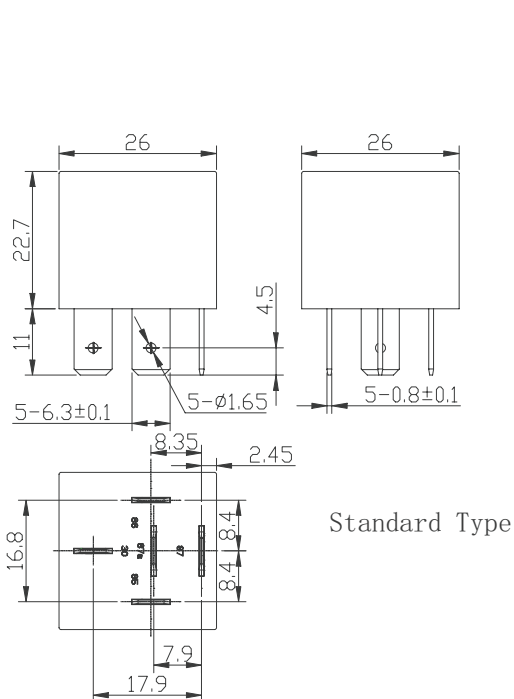
Nominal Voltage (VDC)	Nominal Operating Current 10%(mA)	Coil Resistance ± 10%(Ω)	Parallel Resistance (Ω)	Equivalent Resistance (Ω)	Max. allowable Voltage	Pick-up Voltage (Max.)	Drop-out Voltage (Min.)	Coil Power (W)
12	133.33	90	---	---	150%of Nominal Voltage	60%of Nominal Voltage	10%of Nominal Voltage	Approx.1.6
12	133.33	90	680	80				Approx.1.8
24	66.7	360	---	---				Approx.1.6
24	66.7	360	2700	320				Approx.1.8

Ordering Information

Nomenclature

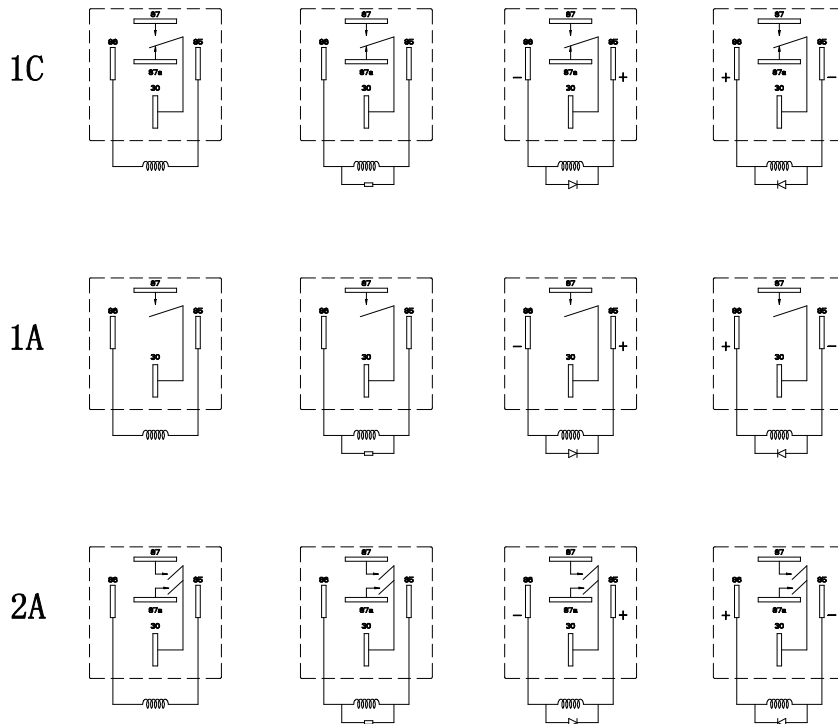
SARQ	-S	-1	12	D	M	F	R	-XX
Special Parameter: Nil-Standard type, 01-terminal without hole								
Accessory Form:Nil-withoutaccessory,R-withresistor D-withdiode(see wiring diagram) DC-withdiode(see wiring diagram)								
Mounting type : Nil-without bracket, F-with iron bracket, P-PCB type								
Contact Form: Nil-FormC,M-FormA,								
Coil Power: D-1.6/1.8W								
Coil Voltage (VDC): 12, 24								
Number of Poles: 1-1Pole, 2-2Pole								
ProtectiveConstruction:Nil-Dustproof,-S Fluxproof								
Type Designation: SARQ								

Outline Dimensions



Unless otherwise specified:
 If dimension <1 mm, tolerance: +0.2mm;
 If dimension 1-5 mm, tolerance: ±0.3mm;
 If dimension >5 mm, tolerance: ±0.4mm;
 Note: 1. Extended terminal dimension is dimension before soldering.
 2. Tolerance of mounting holes: ±0.1mm

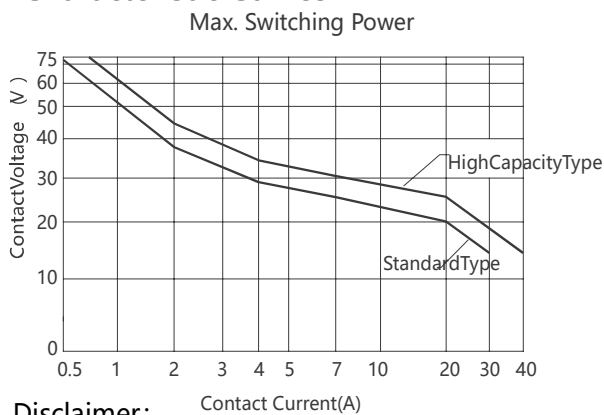
Wiring Diagram



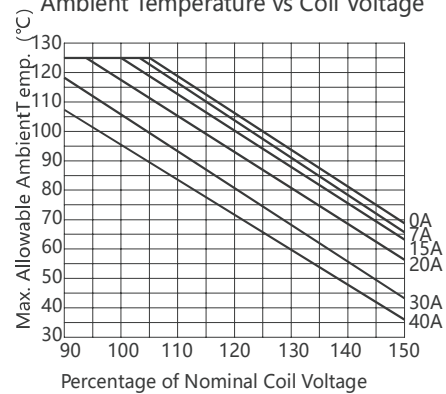
Typical Applications

- rear window defogger, battery breaking device, automotive AC, foglight control, headlight control
- electric power distributor, ABS, traction control system.

Characteristic Curves



Ambient Temperature vs Coil Voltage



Disclaimer:

This datasheet is the customers' reference. All the specification are subject to change without notice. We could not evaluate all the performance and parameters for every possible application. Thus the users should be in a right position to choose the suitable product for their own application. If there is any query, please contact Sanyou for technical service. However it is the users' responsibility to determine which product should be used only.

© Sanyou Corporation Limited, All rights of Sanyou to reserved