


Features

- 20A switching capability.
- Subminiature Relay
- 1 Form A contact available

Contact Capacity

Model	SARP
Max. continuous current	20A/13.5VDC
Max. switching current	100A
Max. switching voltage	14VDC

Contact Voltage	Load Type		Contact Current(A)	duty factor		endurance (cycles)	contact material	test ambient temperature
			1A	ON S	OFF S			
			NO					
14VDC	resistive	ON	20	2	2	1X10 ⁵ 次	AgSnO ₂	23°C
		OFF	20					
	general	ON	40	2	2	1.5X10 ⁵ 次	AgSnO ₂	
		OFF	20					
	lamp load	ON	100	2	2	1.5X10 ⁵ 次	AgSnO ₂	
		OFF	20					

Note: The table above is point to coil without diode paralleled and resistance components, if they are required, please contact Sanyou for technical service.

Charateristic Data

Contact material	AgSnO ₂	
Dropping Voltage of Contacts	200mV/at 10A (max.)	
Operate time(at nominal volt.)	10msec. Max.	
Release time(at nominal volt.)	10msec. Max.	
Insulation Resistance	100MΩ Min.(DC500V)	
Initial dielectric strength	Between open contact: AC500V, 50/60Hz 1min.	
	Between coil and contact: AC500V, 50/60Hz 1min.	
Vibration resistance	10~500Hz 49m/s ²	
Shock resistance	20G	
Endurance (operate)	Mechanical (at 10,800ops./h)	1X10 ⁶ cycles
	Electrical	See the contact parameters table
Ambient temperature	-40°C ~ +125°C(no condensation)	
Unit weight	Approx.10g	

Coil Data (at 20°C)

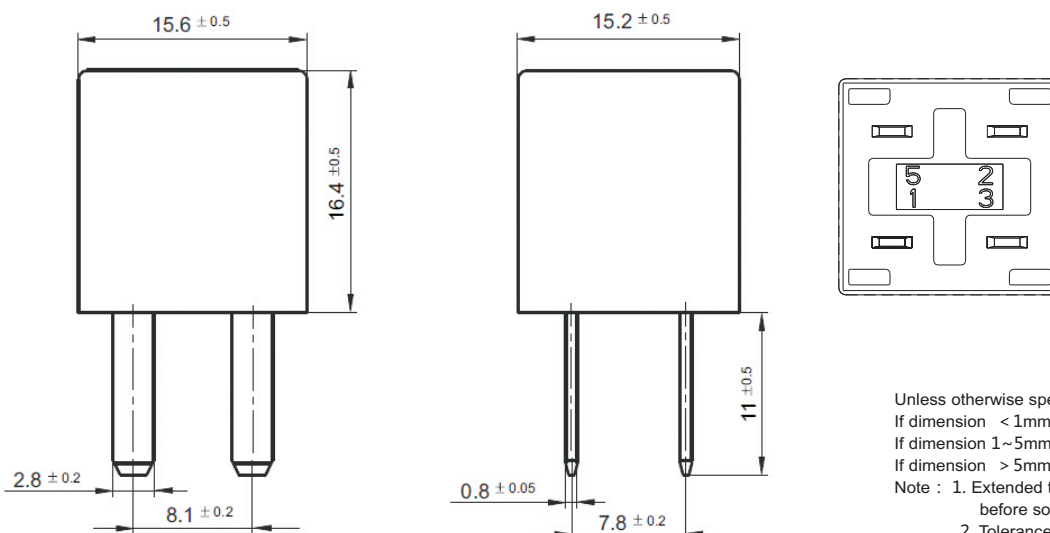
Nominal voltage (VDC)	Nominal operating current ±10% (mA)	Coil resistance ±10% (Ω)	Parallel resistance (Ω)	Equivalent resistance (Ω)	Pick-up voltage (Max.)	Drop-out voltage (Min.)	Max. allowable voltage	Nominal operating power(W)
12	80	151	---	---	≤7.2	≥1.2	15.6	0.95
12	91	151	1000	131	≤7.2	≥1.2	15.6	1.1

Ordering Information

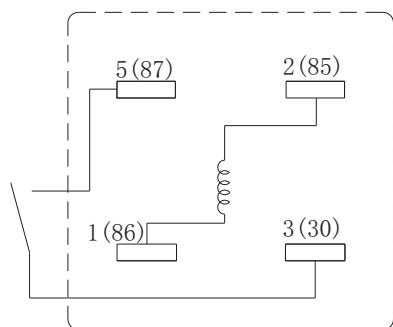
Nomenclature

SPRP	-S	-1	12	D	M	-X	-XX	
								Special Parameter : Nil-Standard type, Letter or number-Special requirement
								Accessory Form : Nil-Without accessory, R-With resistor , D-Withdiode, DC-With diodes(see wiring diagram)
								Contact Form : M-Form A
								Coil Power : D-0.95/1.1W
								Coil Voltage (VDC) : 12
								Number of Poles : 1-1 Pole
								Protective Construction : S-Flux proofed; SH-Sealed type washable
								Type Designation : SARP

Outline Dimensions, Wiring Diagram (unit :mm)



Unless otherwise specified :
 If dimension < 1mm, tolerance : ±0.2mm;
 If dimension 1~5mm, tolerance : ±0.3mm;
 If dimension > 5mm, tolerance : ±0.4mm.
 Note : 1. Extended terminal dimension is dimension before soldering.
 2. Tolerance of mounting holes : ±0.1mm.

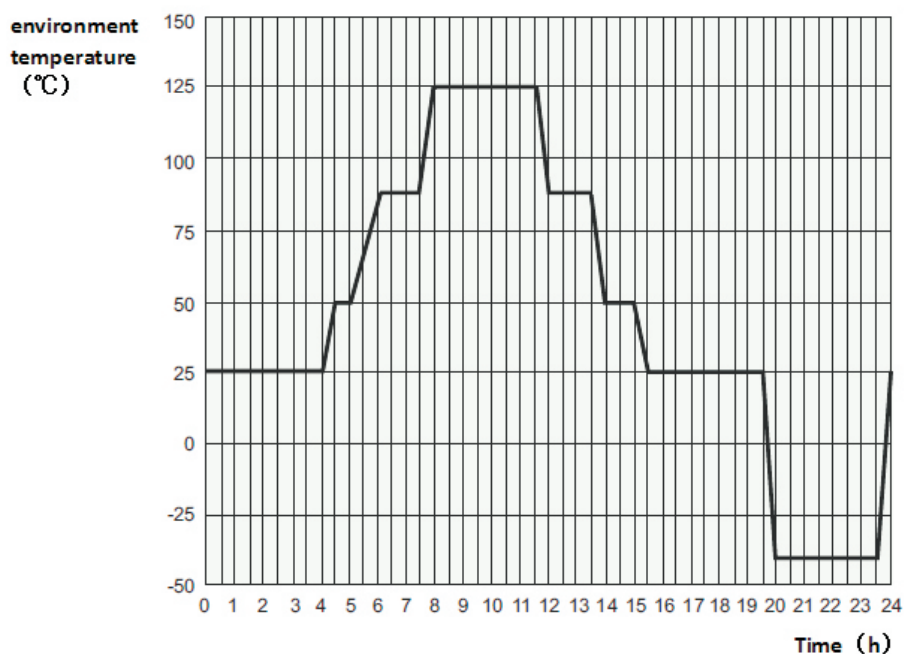


wiring diagram(bottom view)

Typical Applications

- lighting control
- oil pump control
- klaxon control
- A/C clutch control

Characteristic Curves



Disclaimer:

This datasheet is the customers' reference. All the specification are subject to change without notice. We could not evaluate all the performance and all the parameters for every possible application. Thus the user should in a right position to choose the suitable product for their own application. If there is any query, please contact Sanyou for the technical service. However it is the user's responsibility to determine which product should be used only.